



TECHNICAL DATA SHEET

Available substrates	Thickness	Weight (lichen included)	Fire rating
Aluminum	3 mm	4 Kgs/pc	ASTM E 84-17 (Class A) UNI EN 13501+A1:2013(Class B-s2- d0)
Flexible PVC	2 mm	4 Kgs/pc	UNI EN 13501-1:2007(Class B-s1-d0)

Available sizes:

60x80 cm / 23,62"x31,50" on Aluminum Substrate

75x75 cm / 2' 5" 17/32 x 2' 5" 17/32 on PVC Substrate

Special size on request.

Lichen Thickness:

Natural preserved lichen: 20<mm<45

Packaging: natural recycled carton

1 pc./box

PRODUCT DETAILS:

Vegetal components:

"Cladonia Stellaris" or commonly named "Reindeer Moss" and or Lichen Moss, harvested by hand, with respect for the plant and its surrounding.

The preservation procedures are 100% eco-friendly and carried out with no toxic, no dangerous chemicals or components.

The lichen has a cream natural colour (cream), the others are obtained thanks to the use of food colours.

The lichen is free from harmful bacterial load and it is 100% biodegradable.

Substrates:

* Aluminum : Technical backing made of a painted aluminum sandwich. It is composed of a central body in polyethylene contained in two sheets of aluminum cover.

* Flexible PVC: suitable for flat or curved walls, columns or special shapes.

Fire:

BenettiMOSS on aluminum backing is certified in accordance with ASTM E 84-17 (Class A)and UNI EN 13501 – 1 +A1 : 2013 (Class B-s2, d0)

Sound attributes:

ASTM C423

NRC rating – 0.30 (Noise Reduction Coefficient)

SAA Rating – 0.31 (Sound Absorption Average)





Description:

BenettiMOSS is the maintenance free vertical garden for interior use and 100% natural.

The lichen grows in the North European forests and it's harvested by hand , with respect for the plant and its surroundings. A specific cutting technique ensures the perfect renewing of the plant and, only after an accurate selection, the lichen is applied by hand on its support.

BenettiMOSS has been expressly studied to obtain visually homogeneous green walls by laying several tiles together.

BenettiMOSS aluminum painted backing is light, resistant, immune to rising damp and makes the installation very easy.

Variations in color, light wood scent and the presence of small leaves or pine needles are to be considered a guarantee of its natural origin. Moreover, as with all natural products, a slight variation of tone over time is to be considered normal.

- BenettiMOSS should not be watered, it should not be pruned and does not require light. For proper maintenance, a minimum environmental humidity of 35/40% should be ensured (max 95%). If moisture falls below this limit, it is necessary to re-establish it as soon as possible without wetting the product . In alternative, the use of MOSSpray is suggested (see chapter "Conditions of use") for geographic areas with cold winters.
- Do not expose BenettiMOSS to direct sunlight or heat sources. Do not step on BenettiMOSS.
- Do not ingest BenettiMOSS, even if the lichen has been processed with non-toxic substances.
- BenettiMOSS does not attract insects.
- BenettiMOSS can be quickly installed using fixing screws and easily cut (see Installation instructions").
- BenettiMOSS is noise-absorbing.
- BenettiMOSS is a natural product, it has no electrostatic charge and therefore does not attract dust. Do not use water or any other cleaning product. (see "Conditions of use")





BenettiMOSS : ready to be easily and quickly installed!

- 1_ Make your wall cool in few and easy steps! Prepare the necessary and choose the screws and anchors suitable to the wall that you wish to cover.
- 2_ Check the sizes and mark the guidelines.
- 3_ Make 3 or 4 holes on the back, about 5/10 cm. from the edge.
- 4_ Place the first piece and mark the holes on the wall.
- 5_ Drill the holes at the marked points and insert the anchors.
- 6_ Replace the BenettiMOSS tile and fix with the screws at the anchors. Screws will be hidden by lichen.
- 7_ Repeat the same operation with all the tiles. Do not leave space between panels. Panels have to be fixed exactly one next to the others. Seams are normal part of the installation , over time they will naturally blend and be less noticeable.

We suggest to lay BenettiMOSS horizontally starting from the bottom.

It is suggested not to place BenettiMOSS on the ground but to provide a minimum skirting in order to make cleaning operations easier.

BenettiMOSS can be easily cut. Make this operation on the back of the tile.

After marking it, use a cutter or strong scissors and avoid to press the moss too much (explanatory video available on request). Put the cut edge on the less visible corner.





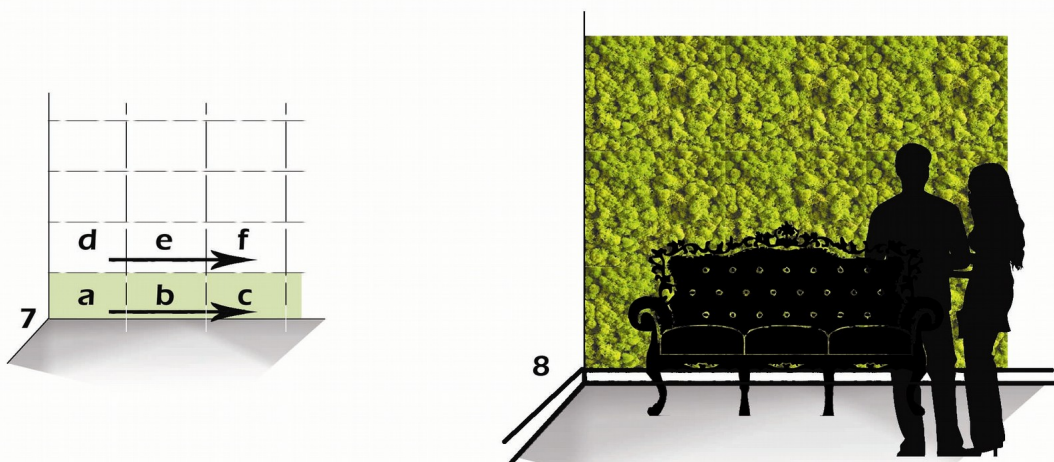
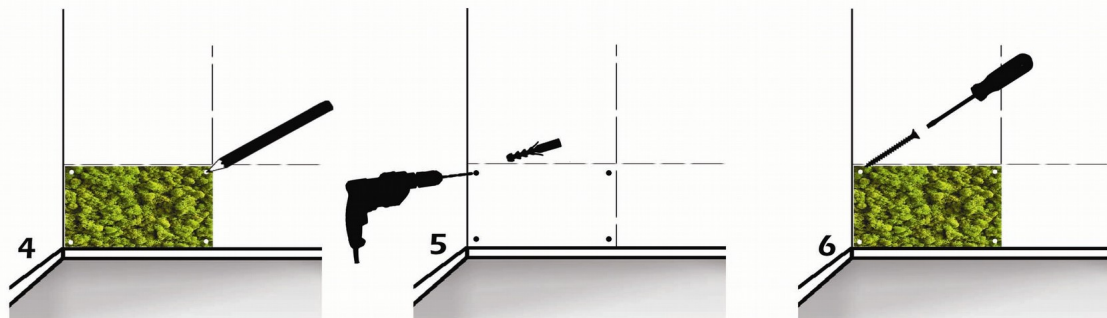
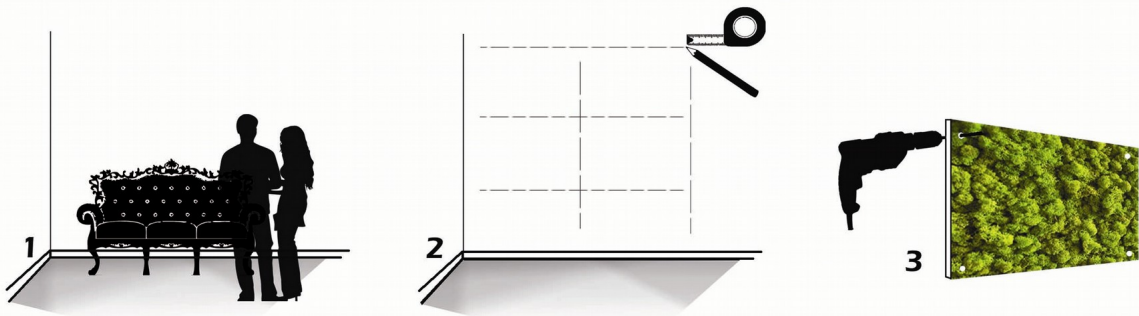
BENETTIMOSS
italian design emotion

ISTRUZIONI DI POSA / LAYER INSTRUCTION

OCCORRENTE/TOOLS
STRUMENTI/STRUMENTI



supporto / Alluminio
support: / Aluminium





CONDITIONS OF USE

* BenettiMOSS should not be irrigated, it should not be pruned and does not need light.

* It is necessary to keep a minimum 35 - 40% relative humidity rate in the room. In case moisture decreases under this level, it is necessary to re-establish it as soon as possible without watering the product for any reason. If this dry situation endures, it is recommended not to touch the lichen because it tends to become fragile when dry. When moisture rate is re-established, the lichen gets back to its original softness.

If the lack of humidity persists, the use of MOSS Spray is recommended. MOSS Spray allows the lichen to keep its softness over time even in absence of moisture. A liter treats 2 square meters (20 sq ft) of surface and guarantees the perfect maintenance of the product for about 6/8 months. MOSS Spray is non-toxic, natural and odorless (explanatory video available on request).

* Do not expose BenettiMOSS to direct sunlight or heat sources. Do not step on BenettiMOSS.

* BenettiMOSS has no electrostatic charge and therefore does not attract dust. However, in order to remove any dust deposit, you can periodically refresh the product with slight hand touches, sticking with a cloth for antistatic dust or using the common compressed air cans kept at a certain distance from the product. In alternative, make use of a very low power vacuum cleaner. Never use water or any other cleaning product.

BenettiMOSS is for interior use only.
BenettiMOSS is a Benetti Home product.

For more information contact us: info@benettihome.com tel. +39 0321 1828088

January 2020

